



DEWMARK
STANDART

SV 22/70

Joint width
70 mm

Top
mounted

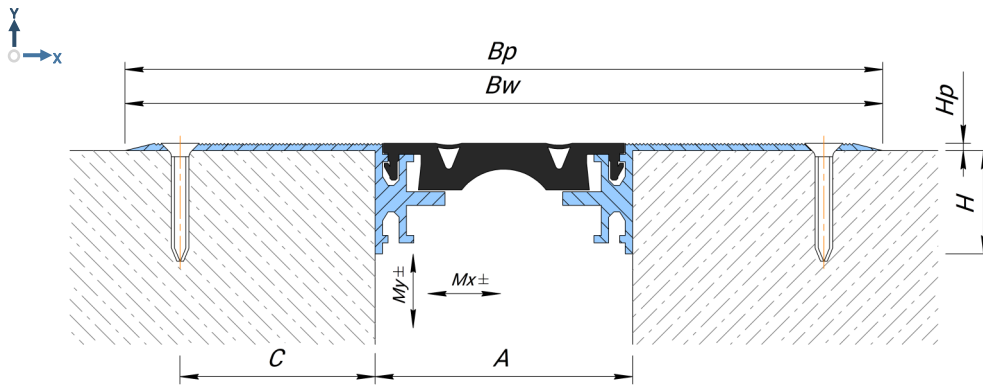
Movements in
6 directions

Protection
rating IP 52

Indoor/
outdoor



FLOOR COVERING → TILE → LINOLEUM → POLYMER → CONCRETE



Technical data

MATERIAL

Profile: aluminium EN AW 6060T6,
Insert: PVC-P

LENGTH

3 meters

STANDARD COLOR OF INSERT (RAL)

9005

7035

1015

Profile	A (mm)	Bw (mm)	Bp (mm)	H (mm)	Hp (mm)	C (mm)	Mx (mm)	My (mm)	Load bearing capacity, kN			
SV 22/70	70	201	201	28	2	50	24 (+12/-12)	20 (+10/-10)	30	70	50	-

! With heavy traffic, the flexible insert will be subject to wear.

On request

Profile insert can be made in any color according to RAL (see website www.ral.de).

Corner versions

All profiles have an corner version (wall to floor under an angle of 90 degrees).
One of the guides is replaced by an corner guide.
This profile is denoted by the index "E": *example SV-E 22/70*

